

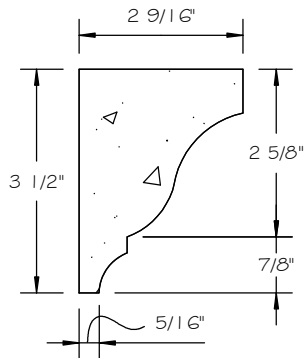
# STONE CAST INC.

2300 KARBACH "B" HOUSTON TX 77092

Office: 713-683-6780 \* Fax: 713-683-6749 \* www.houstonstonecast.com

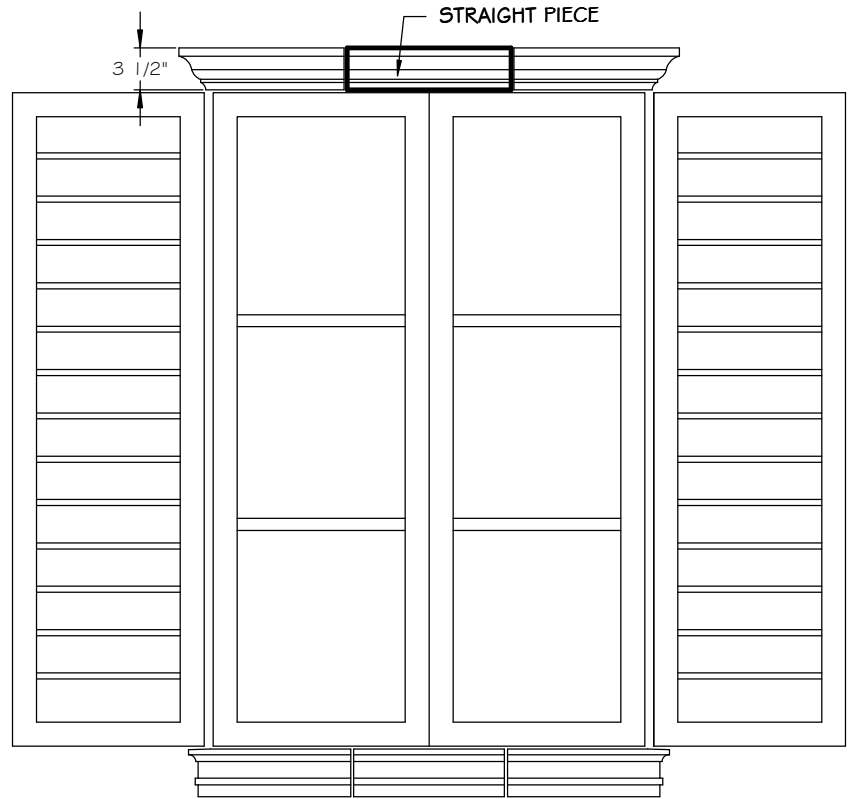
# FLORENZA 3 1/2" HEADER STRAIGHT

SCALE AS NOTED



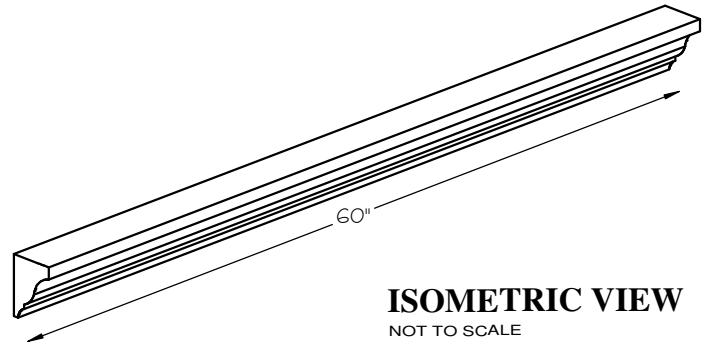
## SECTION

SCALE 4" = 1' 0"



## FRONT VIEW

SCALE 3/4" = 1' 0"



## ISOMETRIC VIEW

NOT TO SCALE

## STANDARD DIMENSIONS AVAILABLE

SIZE	ITEM #
3 1/2" x 60"L	F03-3.5
4" x 48"L	F03-04
8" x 48"L	F03-08

## 3 1/2" FLORENZA HEADER STRAIGHT

ITEM # F03-3.5

FOR STUCCO APPLICATIONS