

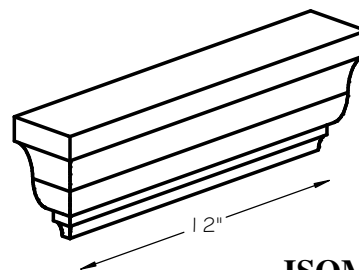
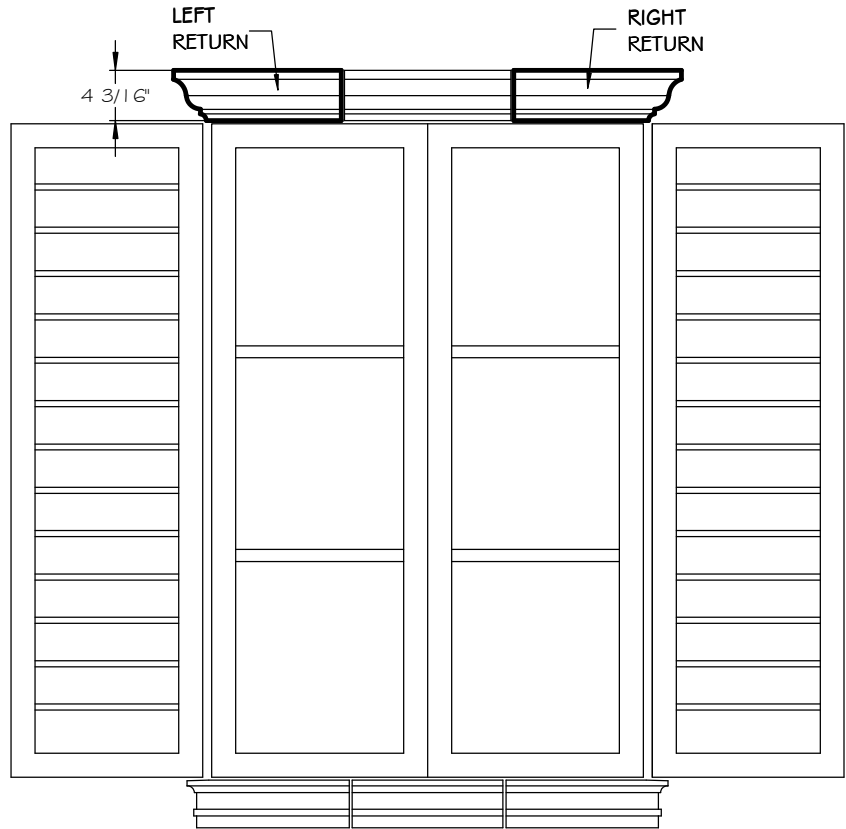
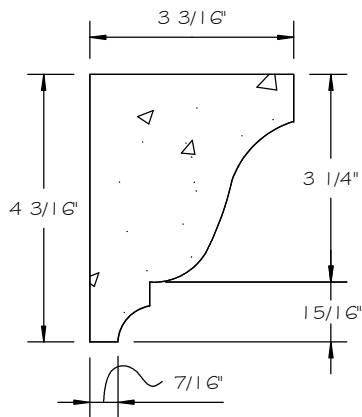
# STONE CAST INC.

2300 KARBACH "B" HOUSTON TX 77092

Office: 713-683-6780 \* Fax: 713-683-6749 \* www.houstonstonecast.com

# FLORENZA 4" HEADER RETURNS

SCALE AS NOTED



## STANDARD DIMENSIONS AVAILABLE

SIZE	ITEM #
3 1/2"	F03L3.5
3 1/2"	F03R3.5
4"	F03L04
4"	F03R04
8"	F03L08
8"	F03R08

## 4" FLORENZA HEADER RETURNS

ITEM # F03L04 (LEFT)

ITEM # F03R04 (RIGHT)

FOR STUCCO APPLICATIONS