

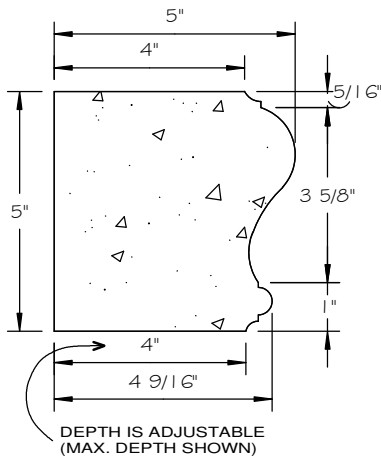
STONE CAST INC.

WILDING 5" SURROUND STRAIGHT

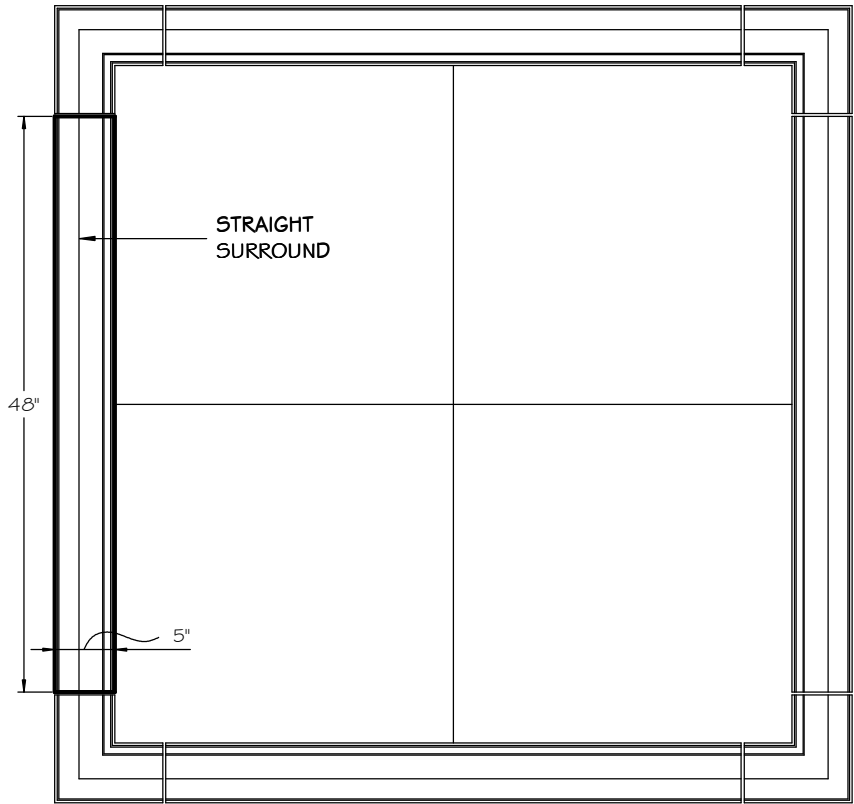
2300 KARBACH "B" HOUSTON TX 77092

Office: 713-683-6780 * Fax: 713-683-6749 * www.houstonstonecast.com

SCALE AS NOTED



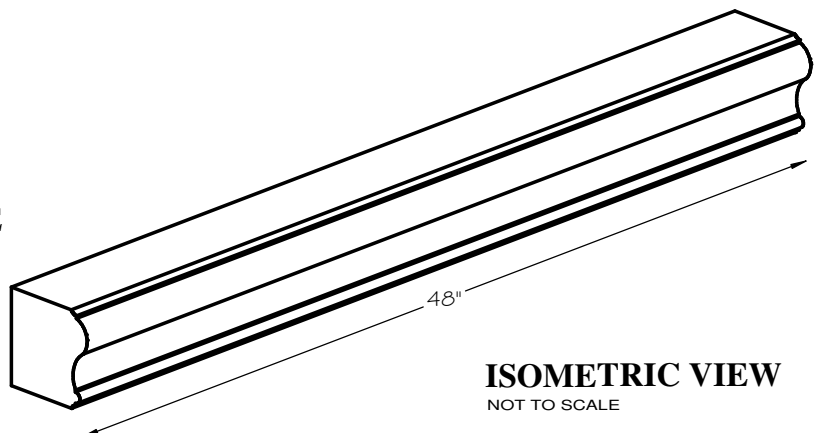
SECTION
SCALE 3" = 1' 0"



FRONT VIEW
SCALE 3/4" = 1' 0"

STANDARD DIMENSIONS AVAILABLE

SIZE	ITEM #
3"W x 48"L	AO1-03
4"W x 36"L	AO1-04
5"W x 48"L	AO1-05
6"W x 48"L	AO1-06
6"W x 48"L	AO1-06A
7"W x 36"L	AO1-07
7"W x 48"L	AO1-07A
9"W x 48"L	AO1-09
9"W x 48"L	AO1-09A
12"W x 48"L	AO1-12



5" WILDING SURROUND STRAIGHT

ITEM # AO1-05

FOR BRICK, STONE (NATURAL OR CULTURED)

* STUCCO APPLICATIONS