

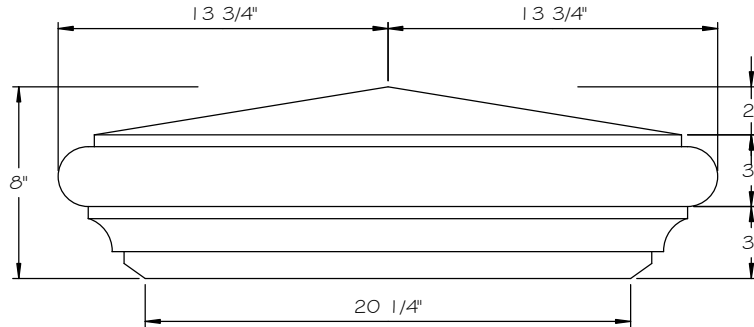
STONE CAST INC.

2300 KARBACH "B" HOUSTON TX 77092

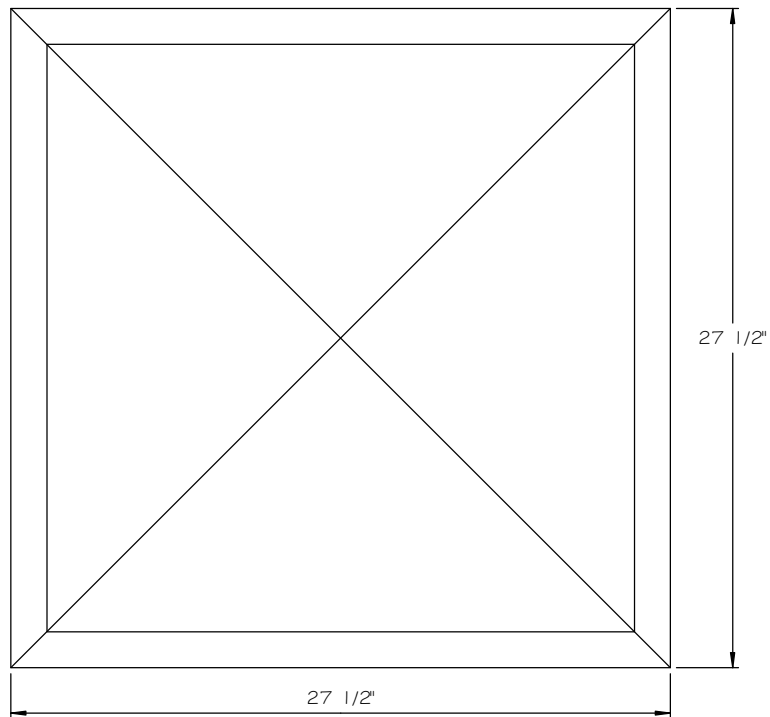
Office: 713-683-6780 * Fax: 713-683-6749 * www.houstonstonecast.com

POST CAP 20 1/4" ALKIRE

SCALE 1 1/2" = 1' 0"



FRONT VIEW



TOP VIEW

STANDARD DIMENSIONS AVAILABLE

SIZE	ITEM #
20 1/4"	SA80-20.25
26 1/4"	SA80-26.25

20 1/4" ALKIRE POST CAP
ITEM # SA80-20.25