

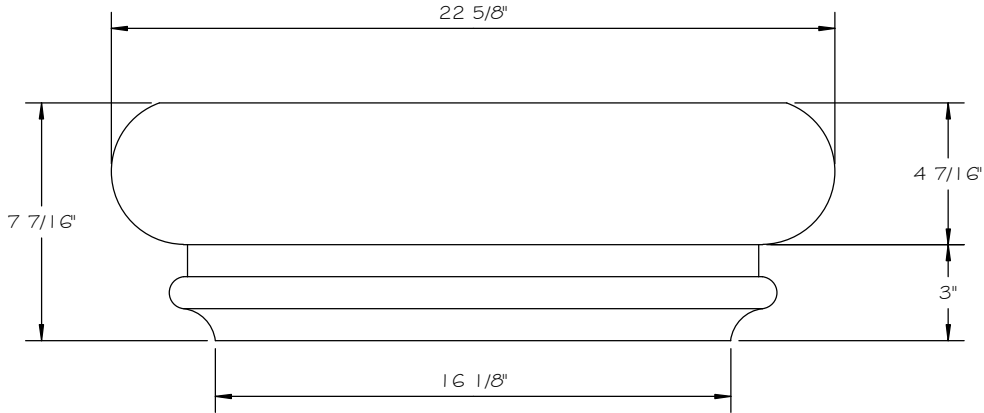
**STONE CAST INC.**

2300 KARBACH "B" HOUSTON TX 77092

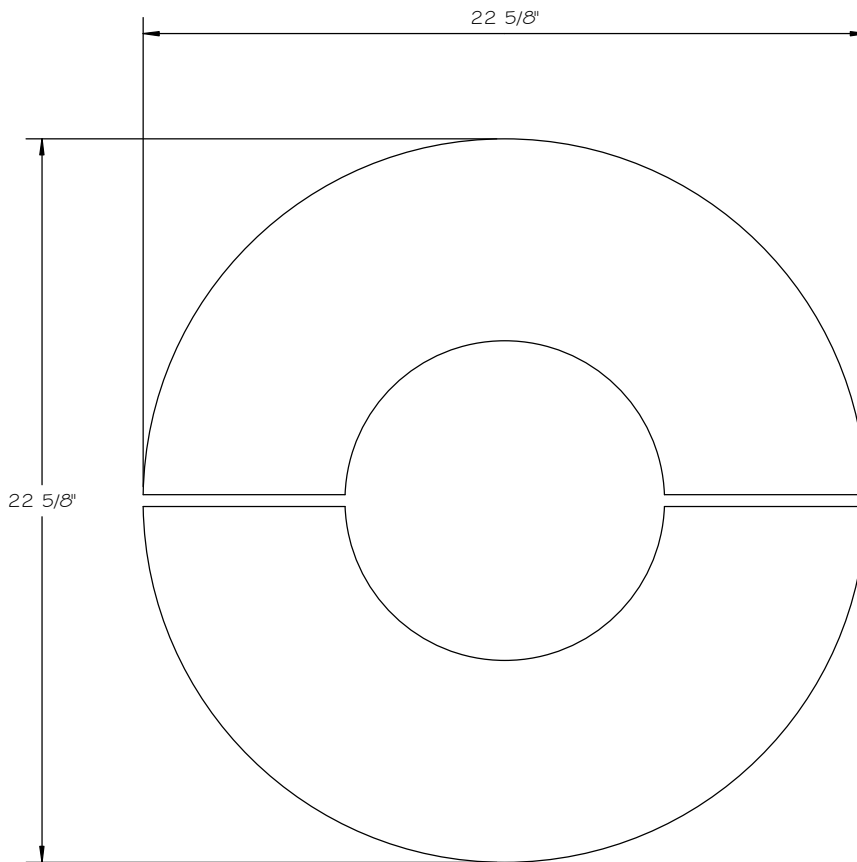
Office: 713-683-6780 \* Fax: 713-683-6749 \* [www.houstonstonecast.com](http://www.houstonstonecast.com)

**STRAIGHT SHAFT 15" COLUMN CAP**

SCALE 2" = 1' 0"



**FRONT VIEW**



**TOP VIEW**

**15" STRAIGHT SHAFT COLUMN CAP**  
( WITHOUT SQUARE CAP / BASE )  
ITEM # J90TB15A