

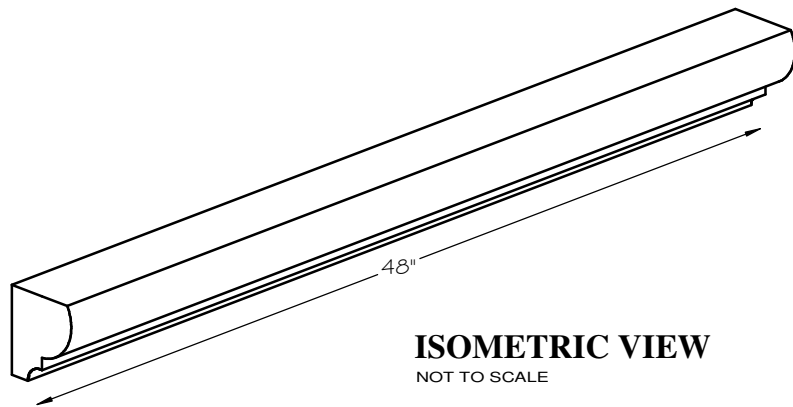
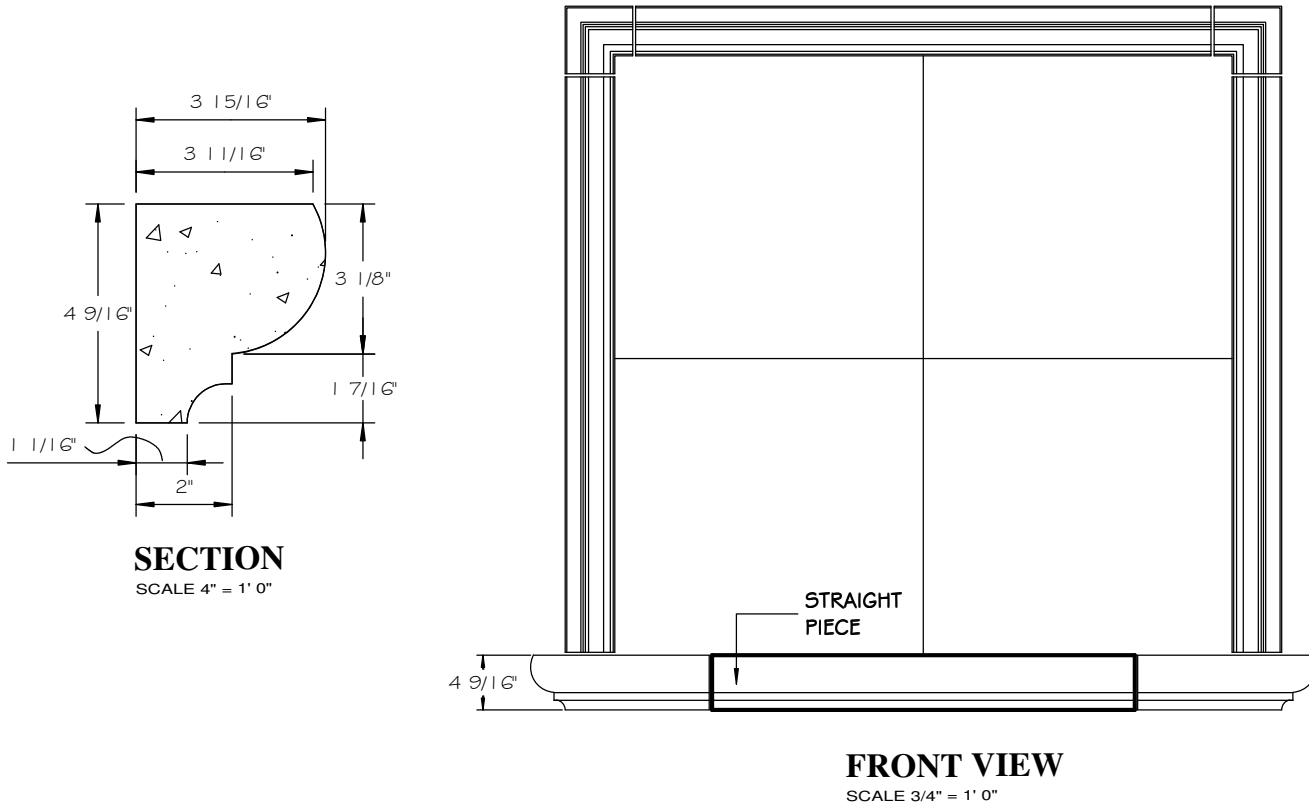
# STONE CAST INC.

2300 KARBACH "B" HOUSTON TX 77092

Office: 713-683-6780 \* Fax: 713-683-6749 \* www.houstonstonecast.com

# BEACON HILL 4 1/2" SILL STRAIGHT

SCALE AS NOTED



## STANDARD DIMENSIONS AVAILABLE

SIZE	ITEM #
4 1/2" x 48"L	DG2-4.5

## 4 1/2" BEACON HILL SILL STRAIGHT

ITEM # DG2-4.5  
FOR STUCCO APPLICATIONS