

STONE CAST INC.

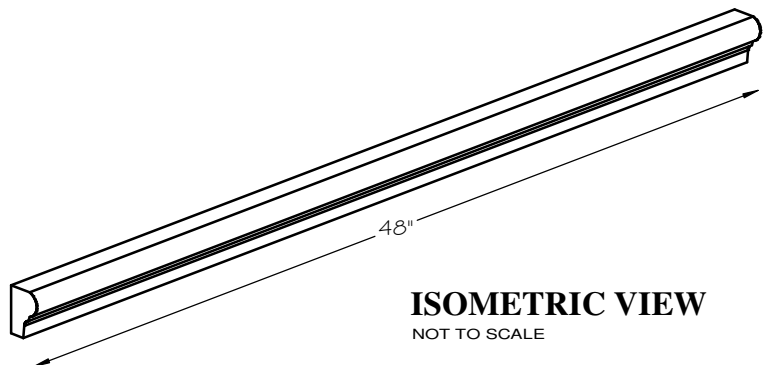
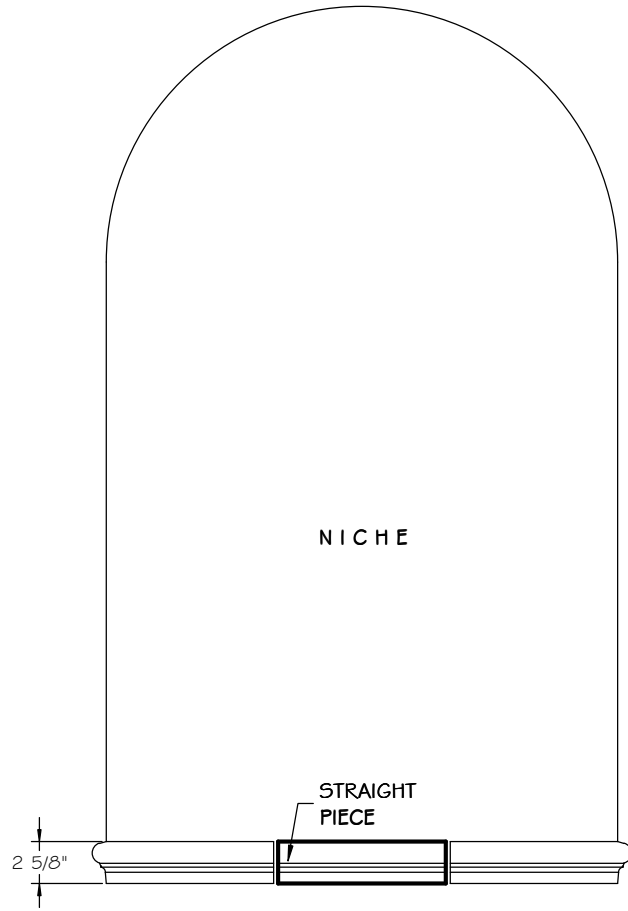
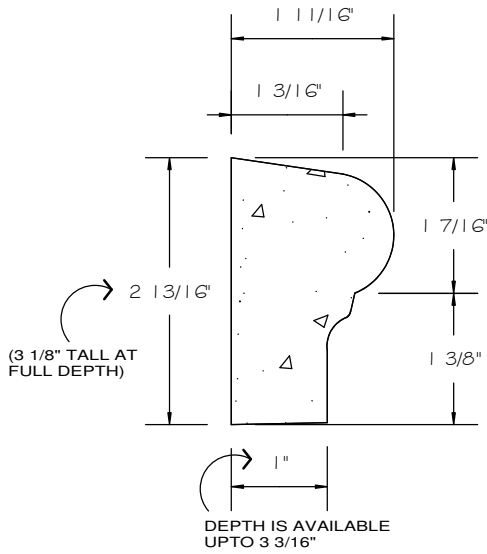
2300 KARBACH "B" HOUSTON TX 77092

Office: 713-683-6780 * Fax: 713-683-6749 * www.houstonstonecast.com

BULLNOSE 3" SURROUND STRAIGHT

(USED AS A SILL)

SCALE AS NOTED



STANDARD DIMENSIONS AVAILABLE

SIZE	ITEM #
3" x 48"L	A76-03
5" x 48"L	D76-05

3" BULLNOSE SURROUND STRAIGHT

(USED AS A SILL)

ITEM # A76-03

FOR STUCCO APPLICATIONS