

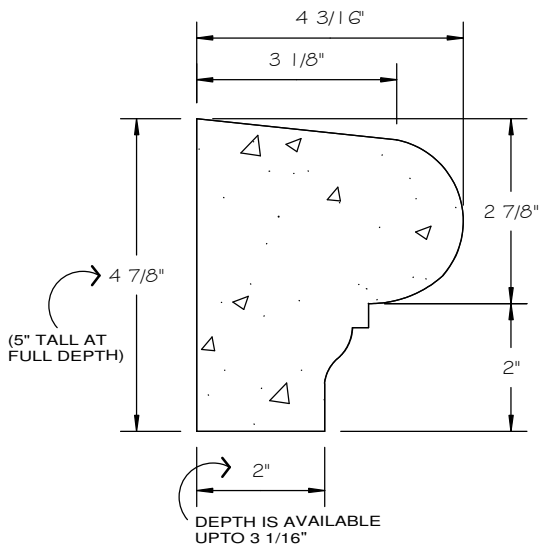
STONE CAST INC.

2300 KARBACH "B" HOUSTON TX 77092

Office: 713-683-6780 * Fax: 713-683-6749 * www.houstonstonecast.com

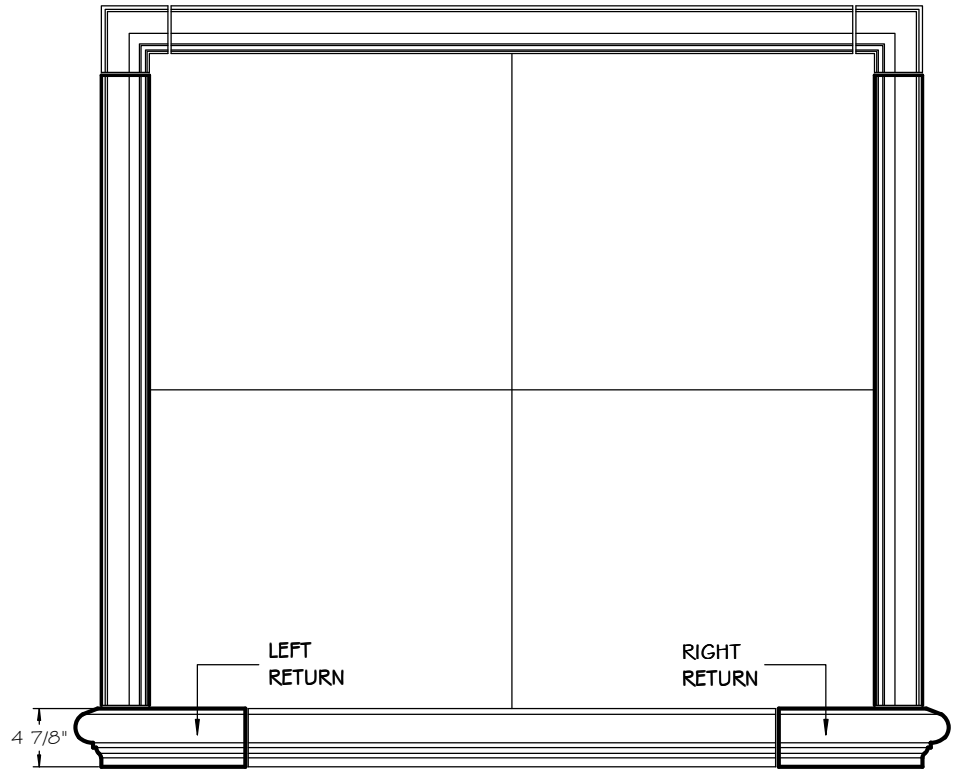
BULLNOSE 5" SILL RETURNS

SCALE AS NOTED



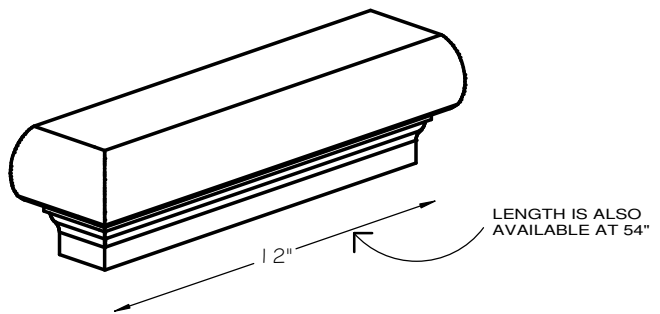
SECTION

SCALE 4" = 1' 0"



FRONT VIEW

SCALE 3/4" = 1' 0"



ISOMETRIC VIEW

(LEFT RETURN SHOWN)
NOT TO SCALE

STANDARD DIMENSIONS AVAILABLE

SIZE	ITEM #
3"	D76L03
3"	D76R03
5"	D76L05 (12" LONG)
5"	D76R05 (12" LONG)
5"	D76L05A (54" LONG)
5"	D76R05A (54" LONG)

5" BULLNOSE SILL RETURNS

ITEM # D76L05 (LEFT)

ITEM # D76R05 (RIGHT)

FOR STUCCO APPLICATIONS