

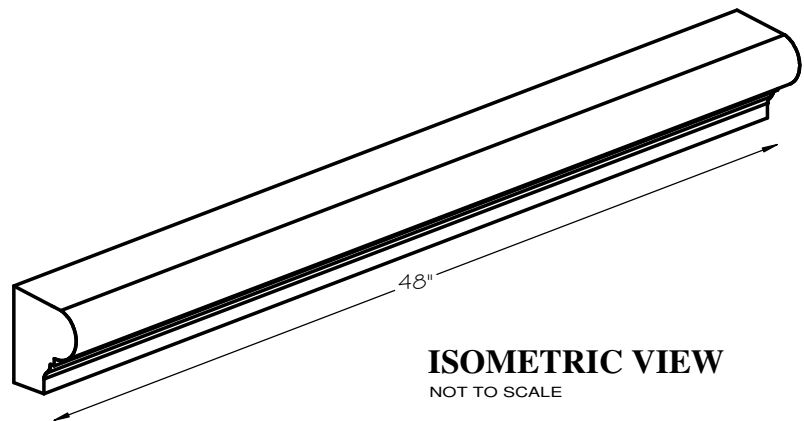
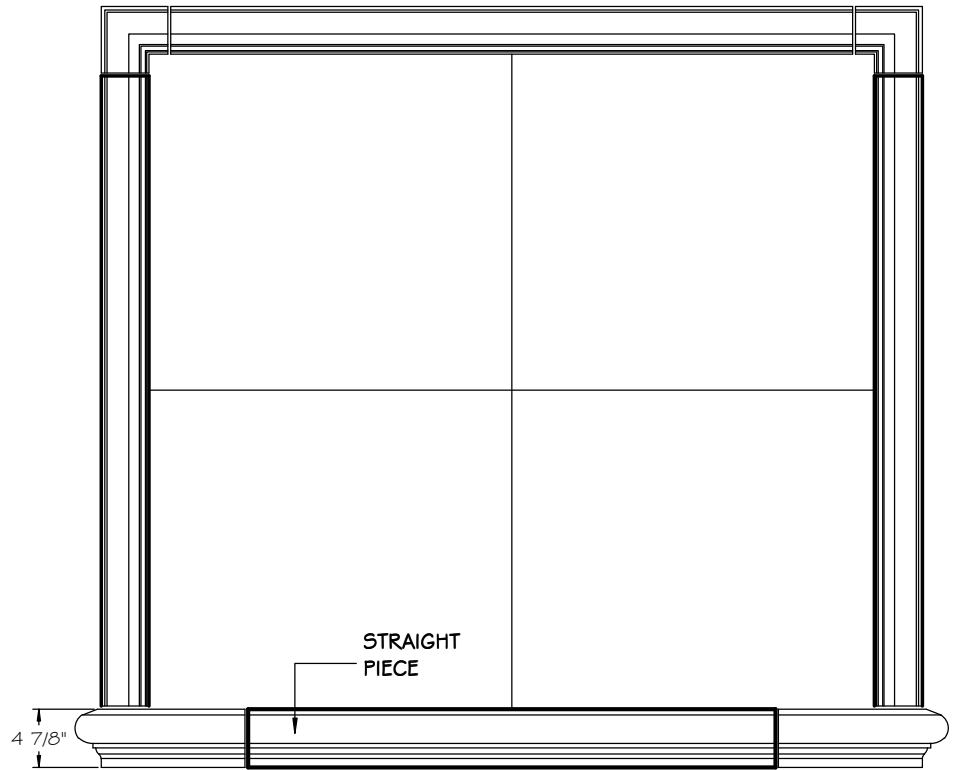
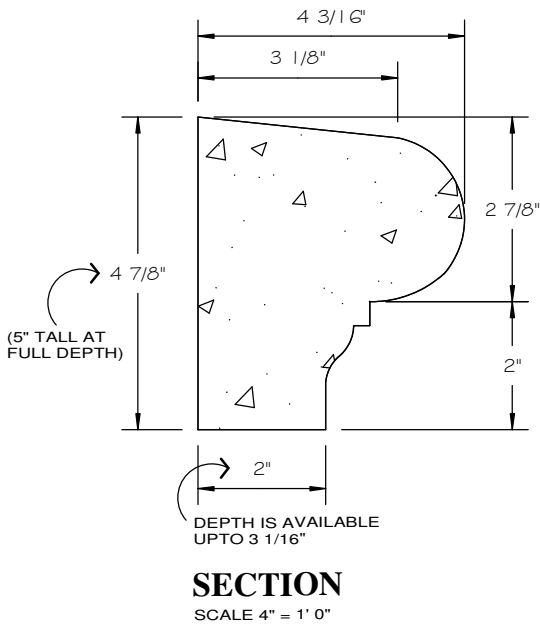
STONE CAST INC.

2300 KARBACH "B" HOUSTON TX 77092

Office: 713-683-6780 * Fax: 713-683-6749 * www.houstonstonecast.com

BULLNOSE 5" SILL STRAIGHT

SCALE AS NOTED



STANDARD DIMENSIONS AVAILABLE

SIZE	ITEM #
3" x 48"L	D76-03
5" x 48"L	D76-05

5" BULLNOSE SILL STRAIGHT

ITEM # D76-05

FOR STUCCO APPLICATIONS