

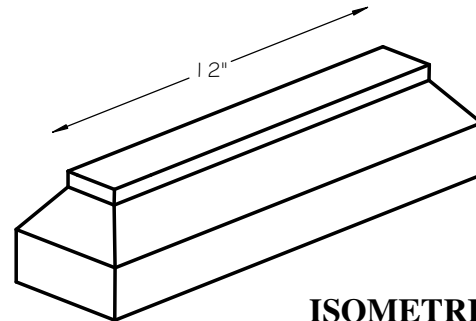
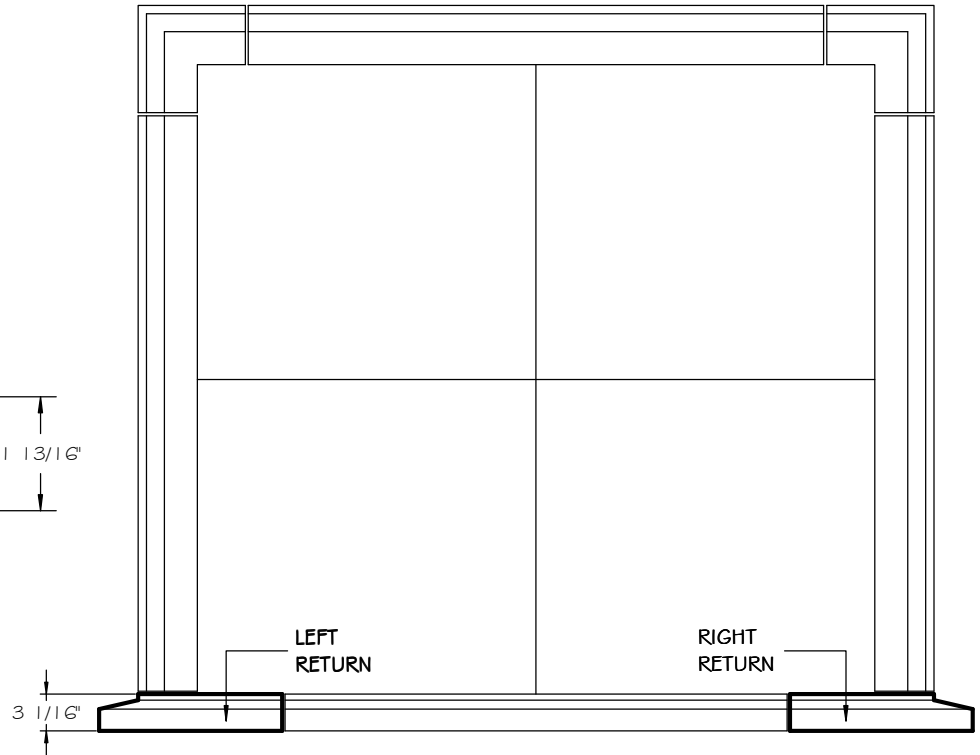
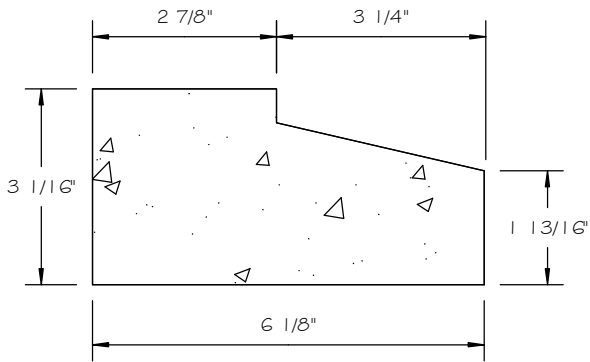
STONE CAST INC.

2300 KARBACH "B" HOUSTON TX 77092

Office: 713-683-6780 * Fax: 713-683-6749 * www.houstonstonecast.com

CLAREMONT 3" SILL RETURNS

SCALE AS NOTED



STANDARD DIMENSIONS AVAILABLE

SIZE	ITEM #
3"	D109L03
3"	D109R03

3" CLAREMONT SILL RETURNS

ITEM # D109L03 (LEFT)
ITEM # D109R03 (RIGHT)
FOR STUCCO APPLICATIONS