

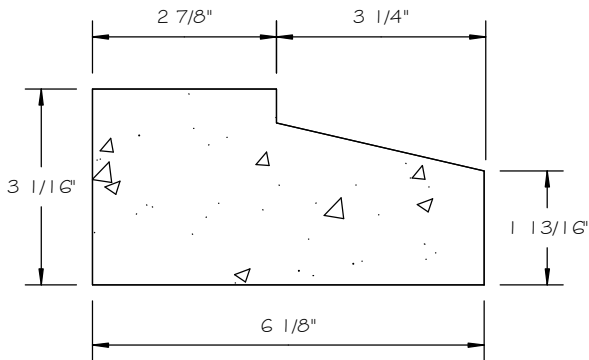
# STONE CAST INC.

2300 KARBACH "B" HOUSTON TX 77092

Office: 713-683-6780 \* Fax: 713-683-6749 \* www.houstonstonecast.com

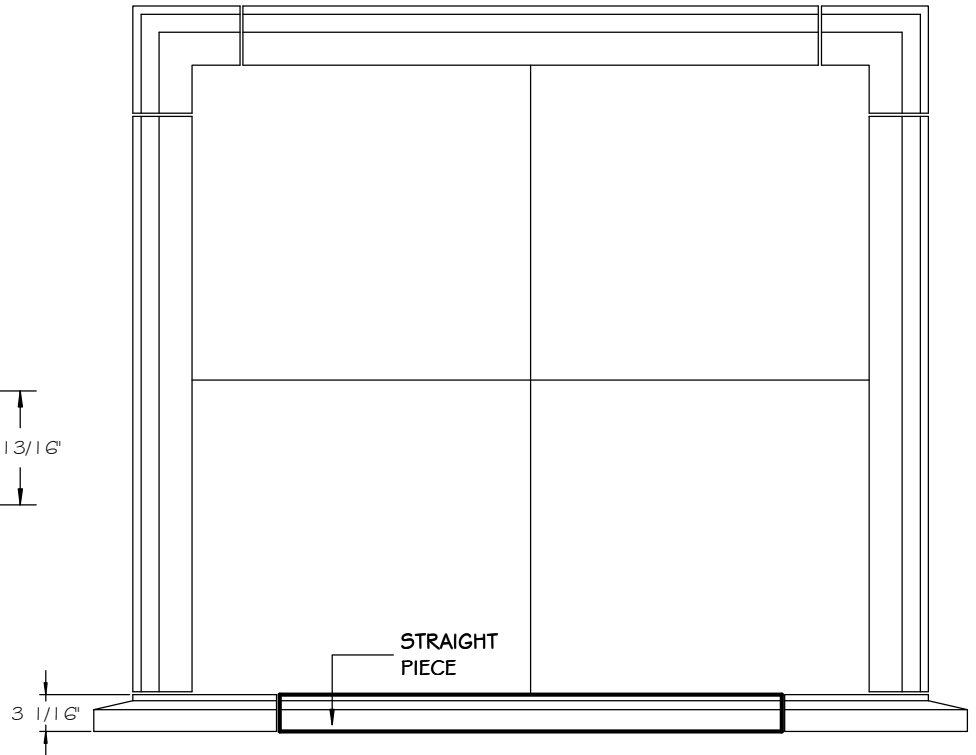
# CLAREMONT 3" SILL STRAIGHT

SCALE AS NOTED



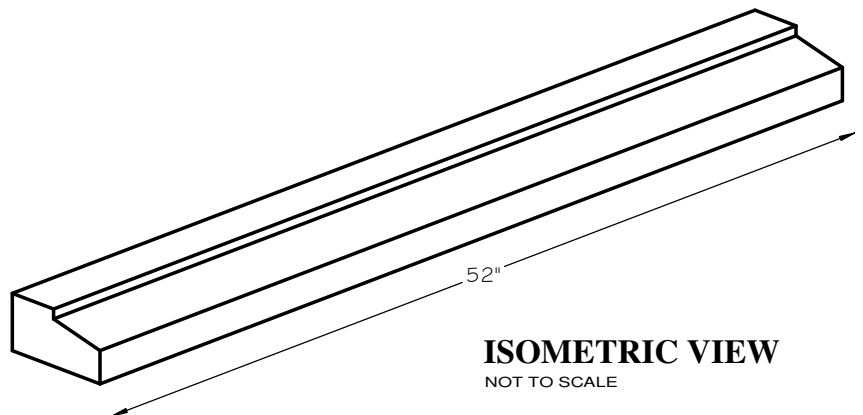
## SECTION

SCALE 4" = 1' 0"



## FRONT VIEW

SCALE 3/4" = 1' 0"



## ISOMETRIC VIEW

NOT TO SCALE

## STANDARD DIMENSIONS AVAILABLE

SIZE	ITEM #
3" x 52"L	D109-03

## 3" CLAREMONT SILL STRAIGHT

ITEM # D109-03

FOR STUCCO APPLICATIONS