

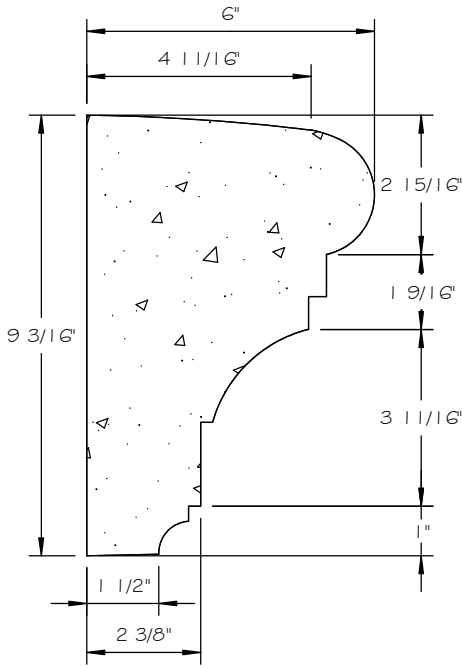
# STONE CAST INC.

2300 KARBACH "B" HOUSTON TX 77092

Office: 713-683-6780 \* Fax: 713-683-6749 \* www.houstonstonecast.com

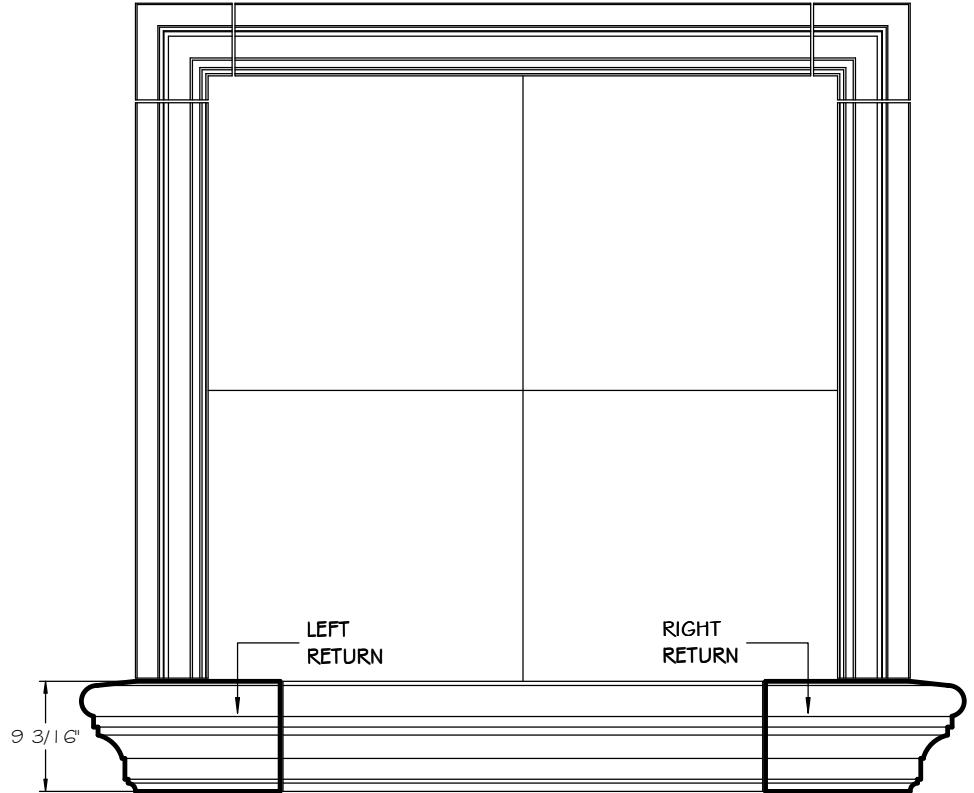
# FLORENZA 9" SILL RETURNS

SCALE AS NOTED



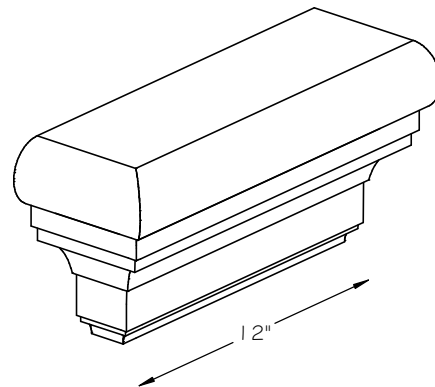
**SECTION**

SCALE 3" = 1' 0"



**FRONT VIEW**

SCALE 3/4" = 1' 0"



**ISOMETRIC VIEW**

(LEFT RETURN SHOWN)  
NOT TO SCALE

## STANDARD DIMENSIONS AVAILABLE

SIZE	ITEM #
9"	D03L09
9"	D03R09
10"	D03L10
10"	D03R10

## 9" FLORENZA SILL RETURNS

ITEM # D03L09 (LEFT)

ITEM # D03R09 (RIGHT)

FOR STUCCO APPLICATIONS