

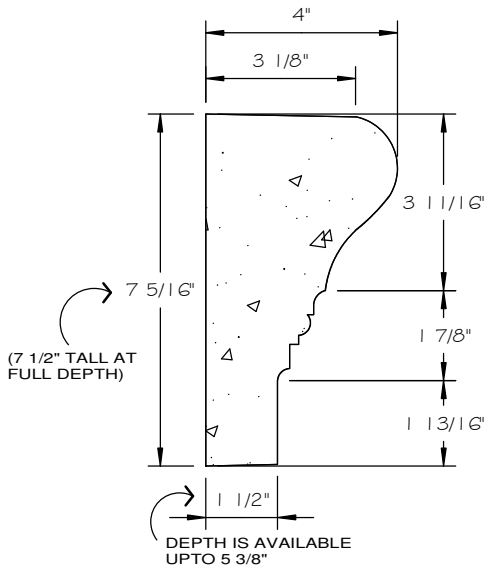
STONE CAST INC.

2300 KARBACH "B" HOUSTON TX 77092

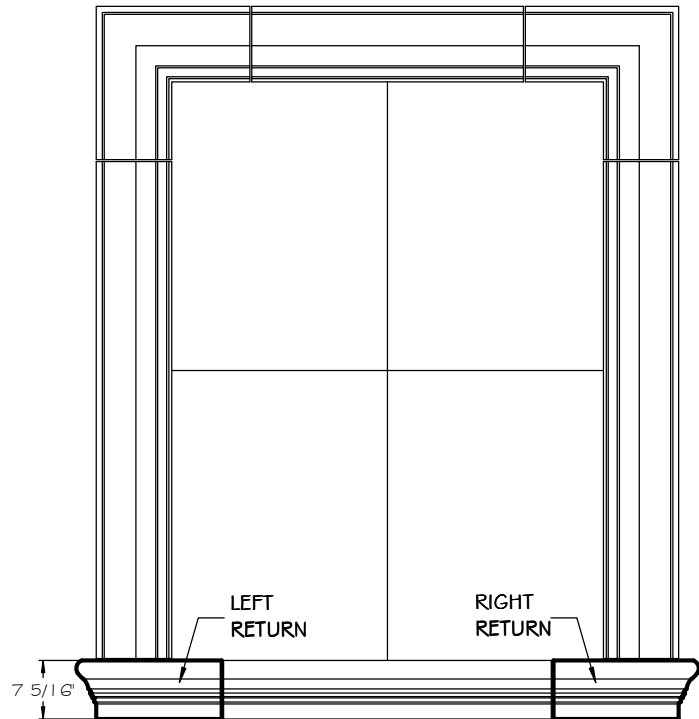
Office: 713-683-6780 * Fax: 713-683-6749 * www.houstonstonecast.com

WILDING 7 1/2" SILL RETURNS

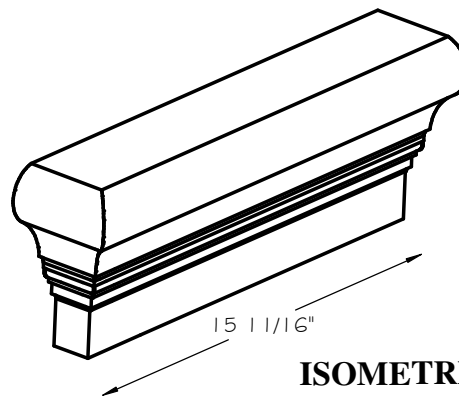
SCALE AS NOTED



SECTION
SCALE 3" = 1' 0"



FRONT VIEW
SCALE 1/2" = 1' 0"



ISOMETRIC VIEW
(LEFT RETURN SHOWN)
NOT TO SCALE

STANDARD DIMENSIONS AVAILABLE

SIZE	ITEM #
7 1/2"	DO1L7.5
7 1/2"	DO1R7.5
8"	DO1L08A
8"	DO1R08A

7 1/2" WILDING SILL RETURNS

ITEM # DO1L7.5 (LEFT)

ITEM # DO1R7.5 (RIGHT)

FOR BRICK, STONE (NATURAL OR CULTURED)

* STUCCO APPLICATIONS