

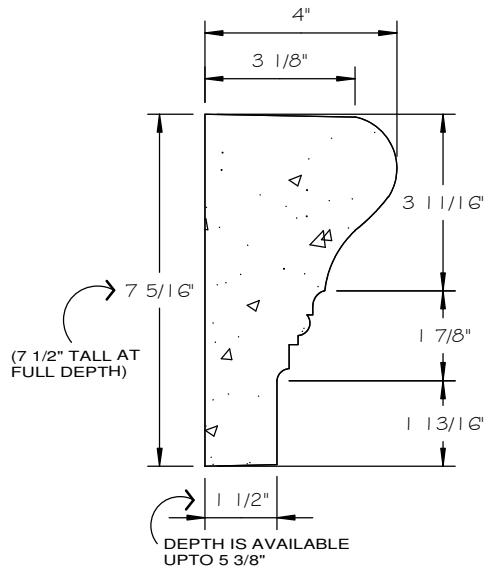
STONE CAST INC.

2300 KARBACH "B" HOUSTON TX 77092

Office: 713-683-6780 * Fax: 713-683-6749 * www.houstonstonecast.com

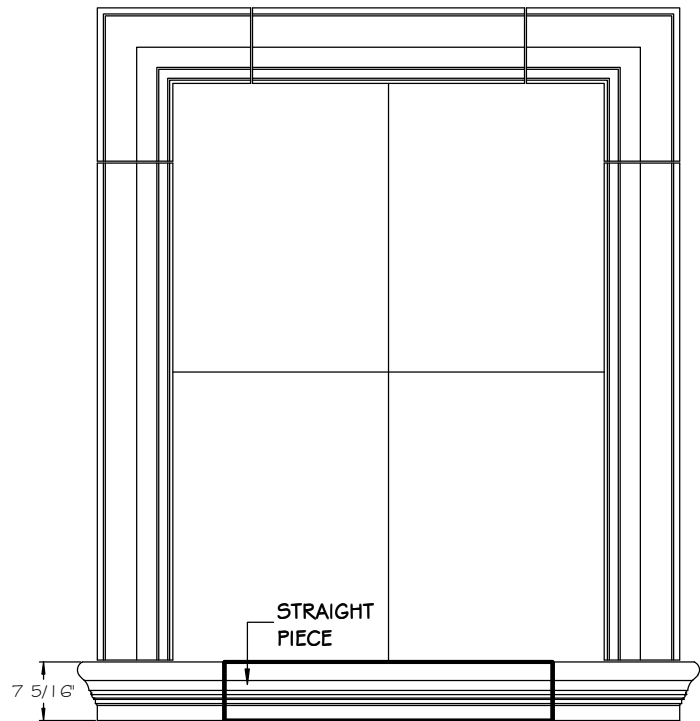
WILDING 7 1/2" SILL STRAIGHT

SCALE AS NOTED



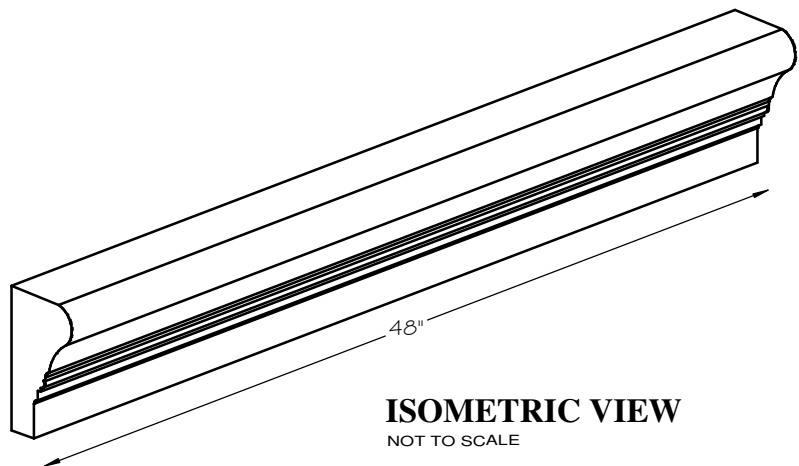
SECTION

SCALE 3" = 1' 0"



FRONT VIEW

SCALE 1/2" = 1' 0"



STANDARD DIMENSIONS AVAILABLE

SIZE	ITEM #
7 1/2" x 48"L	DOI-7.5
8" x 64"L	DOI-08A

7 1/2" WILDING SILL STRAIGHT

ITEM # DOI-7.5

FOR BRICK, STONE (NATURAL OR CULTURED)

* STUCCO APPLICATIONS