

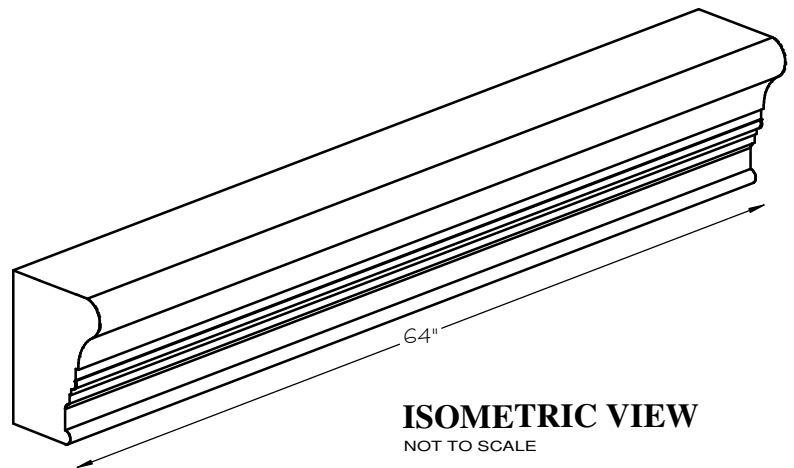
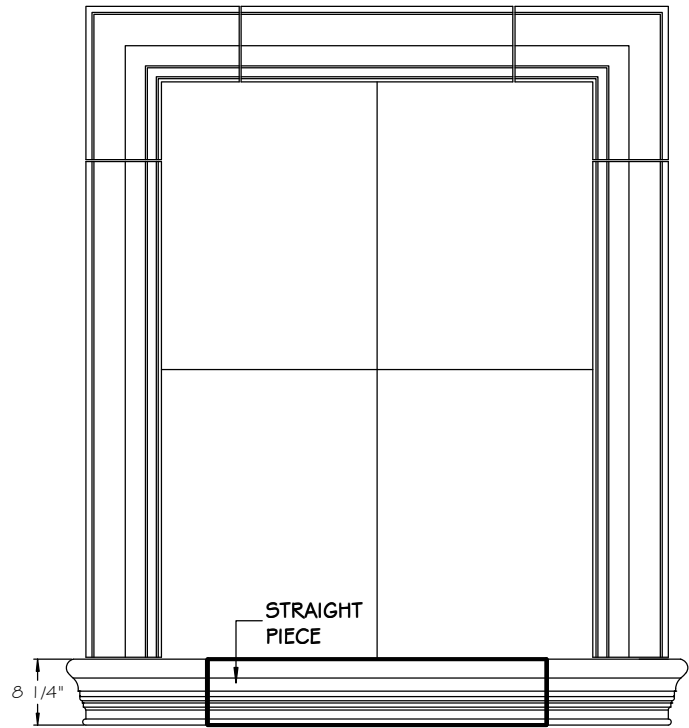
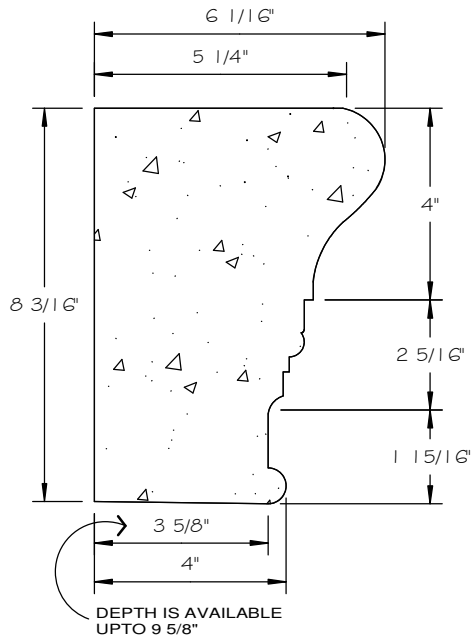
# STONE CAST INC.

2300 KARBACH "B" HOUSTON TX 77092

Office: 713-683-6780 \* Fax: 713-683-6749 \* www.houstonstonecast.com

# WILDING 8" SILL STRAIGHT

SCALE AS NOTED



## STANDARD DIMENSIONS AVAILABLE

SIZE	ITEM #
7 1/2" x 48"L	DOI-7.5
8" x 64"L	DOI-08A

## 8" WILDING SILL STRAIGHT

ITEM # DOI-08A

FOR BRICK, STONE (NATURAL OR CULTURED)

\* STUCCO APPLICATIONS