

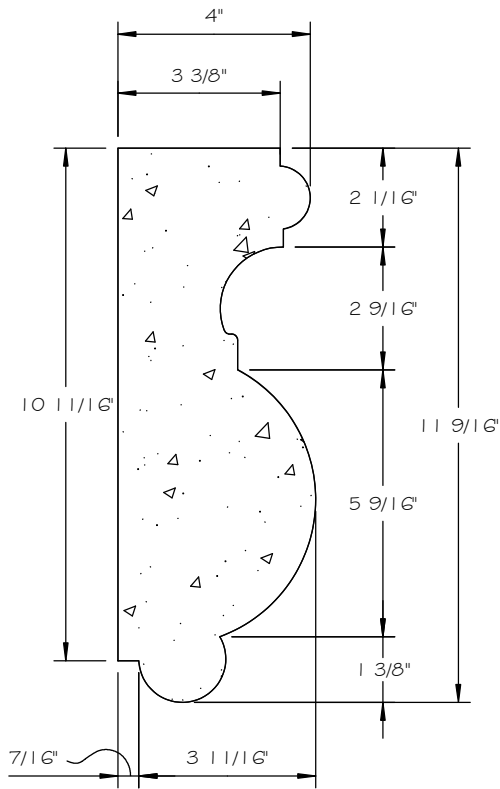
STONE CAST INC.

2300 KARBACH "B" HOUSTON TX 77092

Office: 713-683-6780 * Fax: 713-683-6749 * www.houstonstonecast.com

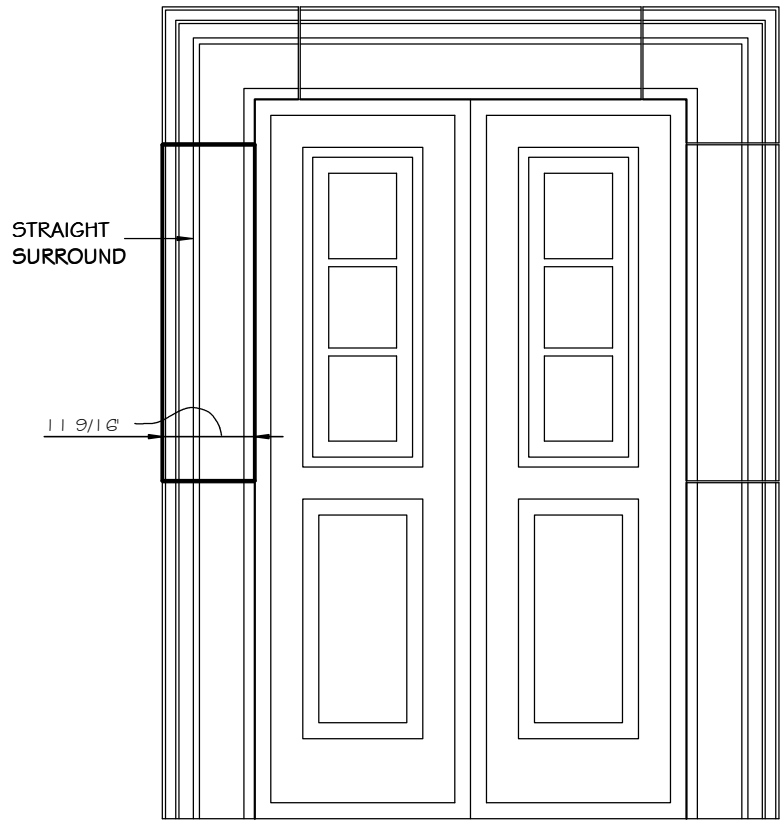
FONTINE 12" SURROUND STRAIGHT

SCALE AS NOTED



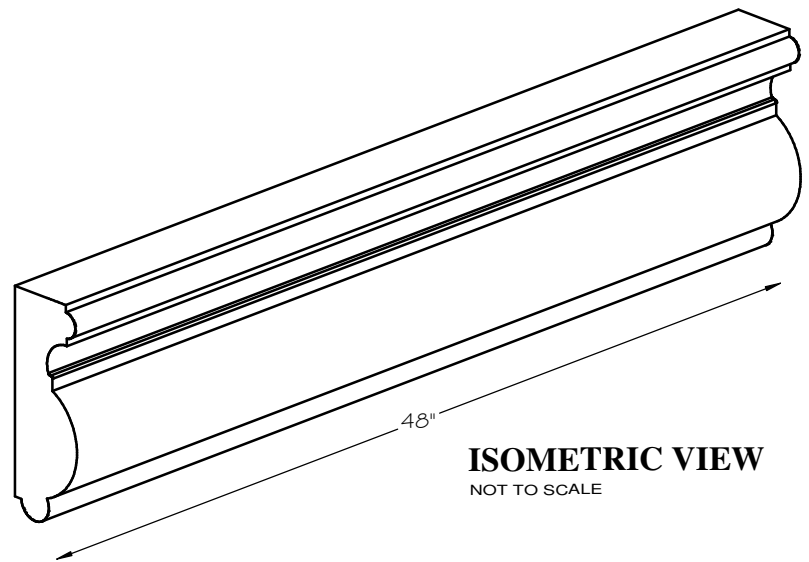
SECTION

SCALE 3" = 1' 0"



FRONT VIEW

SCALE 1/2" = 1' 0"



ISOMETRIC VIEW

NOT TO SCALE

STANDARD DIMENSIONS AVAILABLE

SIZE	ITEM #
8"W x 42 1/4"L	A05-08
12"W x 48"L	A05-12

12" FONTINE SURROUND STRAIGHT

ITEM # A05-12

FOR STUCCO APPLICATIONS