

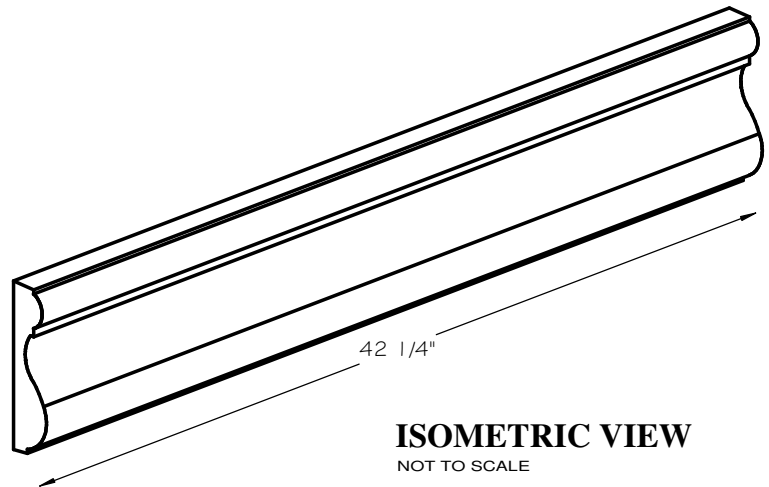
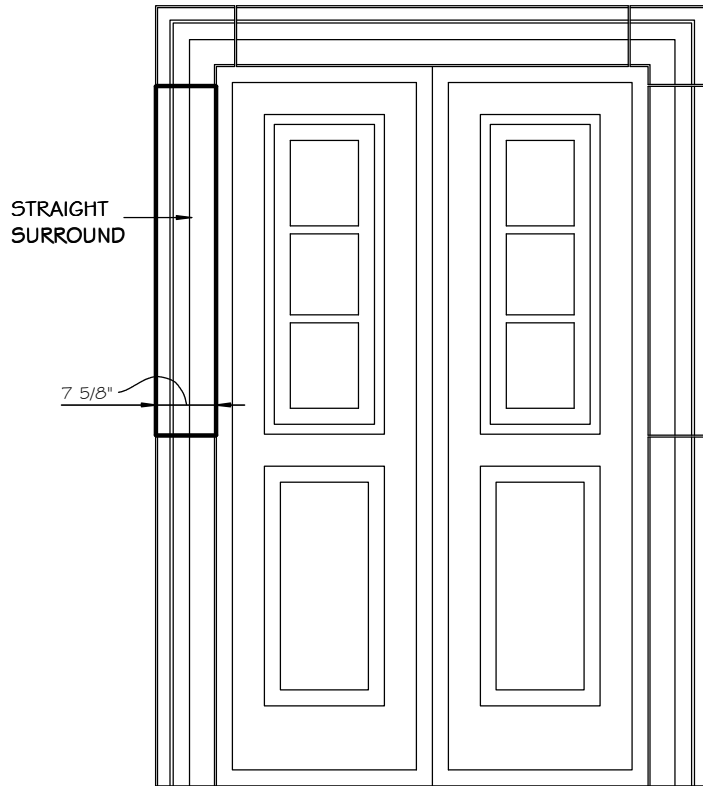
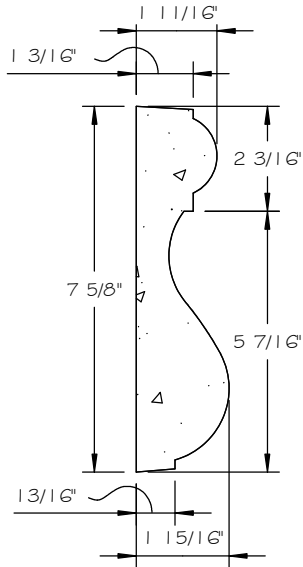
STONE CAST INC.

2300 KARBACH "B" HOUSTON TX 77092

Office: 713-683-6780 * Fax: 713-683-6749 * www.houstonstonecast.com

FONTINE 8" SURROUND STRAIGHT

SCALE AS NOTED



STANDARD DIMENSIONS AVAILABLE

SIZE	ITEM #
8"W x 42 1/4"L	A05-08
12"W x 48"L	A05-12

8" FONTINE SURROUND STRAIGHT

ITEM # A05-08
FOR STUCCO APPLICATIONS