

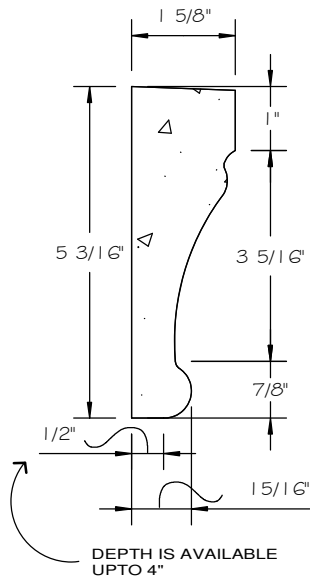
STONE CAST INC.

2300 KARBACH "B" HOUSTON TX 77092

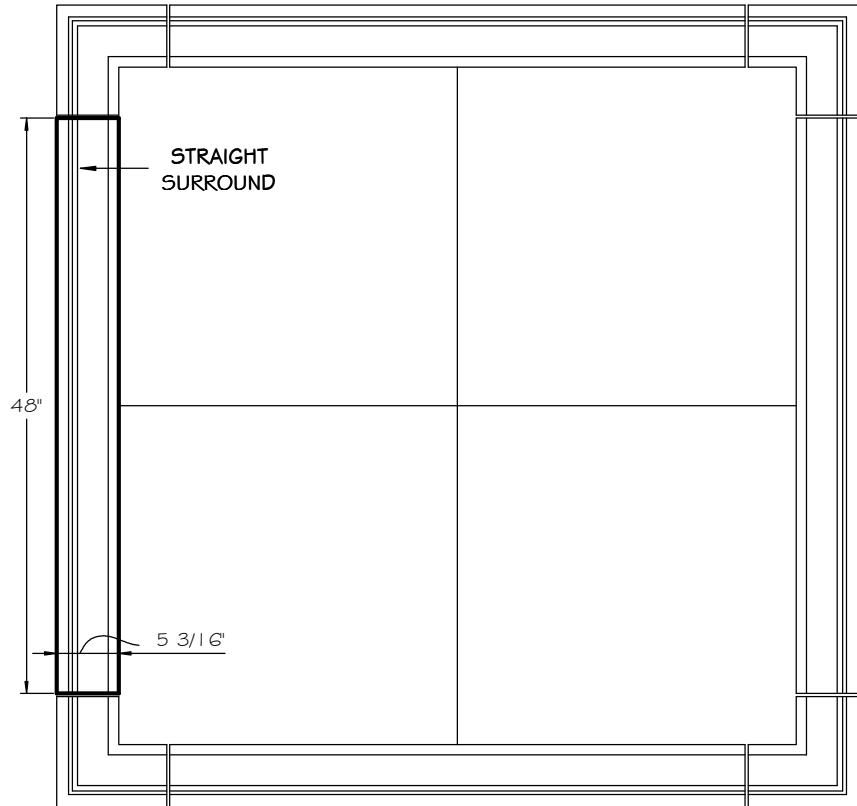
Office: 713-683-6780 * Fax: 713-683-6749 * www.houstonstonecast.com

PLUMB 5" SURROUND STRAIGHT

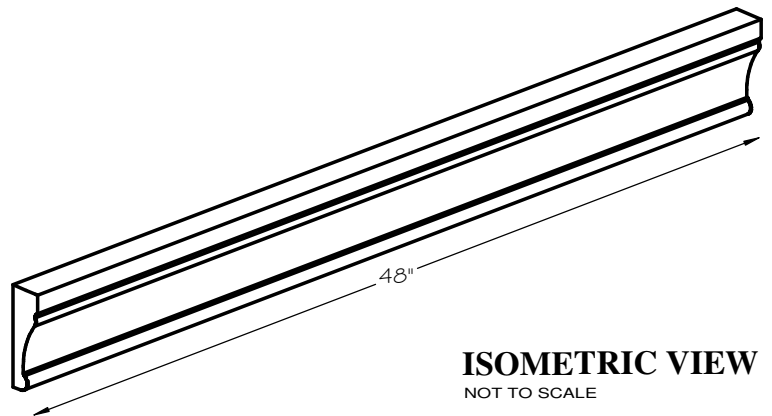
SCALE AS NOTED



SECTION
SCALE 4" = 1' 0"



FRONT VIEW
SCALE 3/4" = 1' 0"



ISOMETRIC VIEW
NOT TO SCALE

STANDARD DIMENSIONS AVAILABLE

SIZE	ITEM #
5"W x 48"L	A121-05
7"W x 48"L	A121-07
8"W x 48"L	A121-08

5" PLUMB SURROUND STRAIGHT

ITEM # A121-05

FOR BRICK, STONE (NATURAL OR CULTURED)

‡ STUCCO APPLICATIONS