

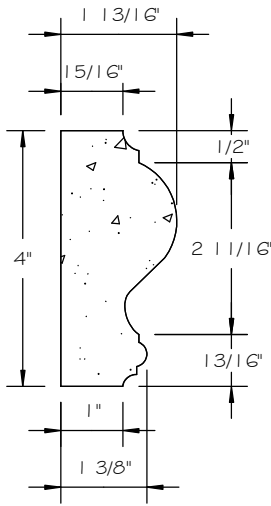
# STONE CAST INC.

2300 KARBACH "B" HOUSTON TX 77092

Office: 713-683-6780 \* Fax: 713-683-6749 \* www.houstonstonecast.com

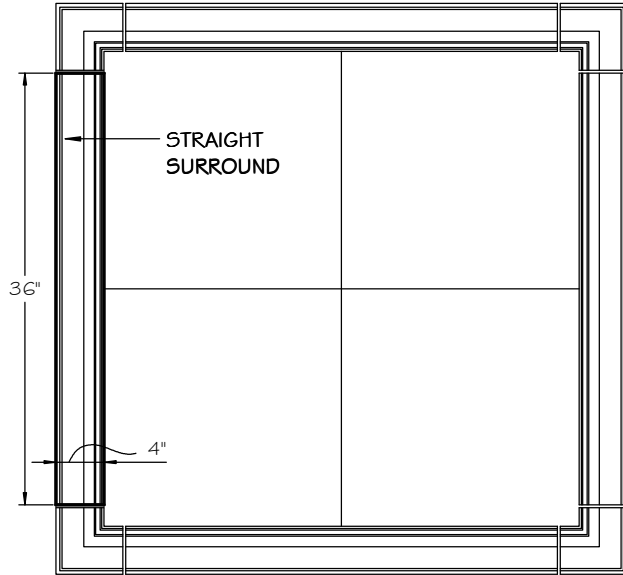
# WILDING 4" SURROUND STRAIGHT

SCALE AS NOTED



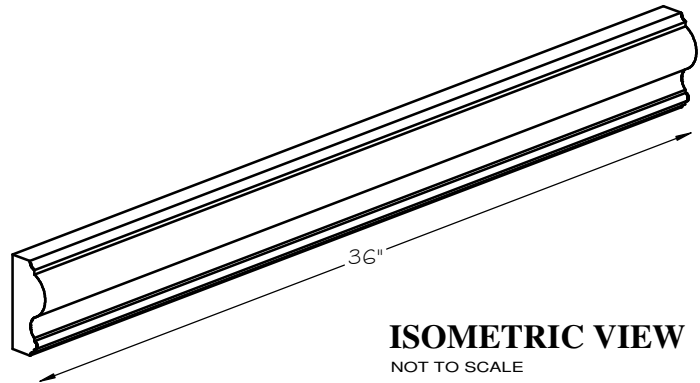
**SECTION**

SCALE 4" = 1' 0"



**FRONT VIEW**

SCALE 3/4" = 1' 0"



**ISOMETRIC VIEW**

NOT TO SCALE

## STANDARD DIMENSIONS AVAILABLE

SIZE	ITEM #
3"W x 48"L	AO1-03
4"W x 36"L	AO1-04
6"W x 48"L	AO1-06
6"W x 48"L	AO1-06A
7"W x 36"L	AO1-07
7"W x 48"L	AO1-07A
9"W x 48"L	AO1-09
9"W x 48"L	AO1-09A
12"W x 48"L	AO1-12

## 4" WILDING SURROUND STRAIGHT

ITEM # AO1-04

FOR STUCCO APPLICATIONS