

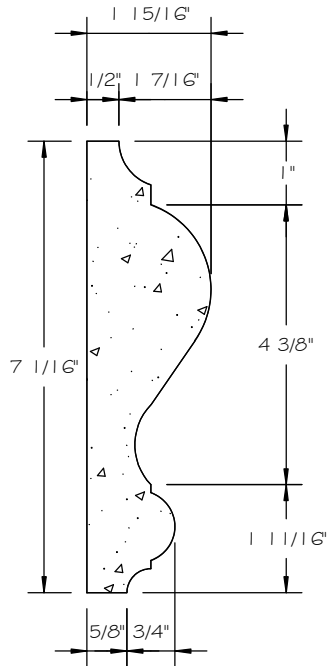
STONE CAST INC.

2300 KARBACH "B" HOUSTON TX 77092

Office: 713-683-6780 * Fax: 713-683-6749 * www.houstonstonecast.com

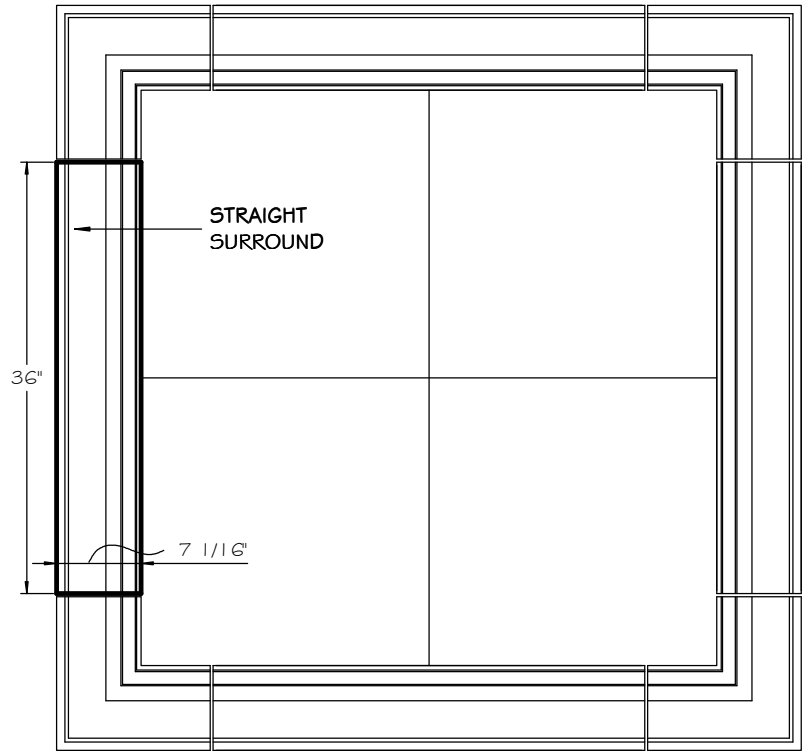
WILDING 7" SURROUND STRAIGHT THIN

SCALE AS NOTED



SECTION

SCALE 4" = 1' 0"

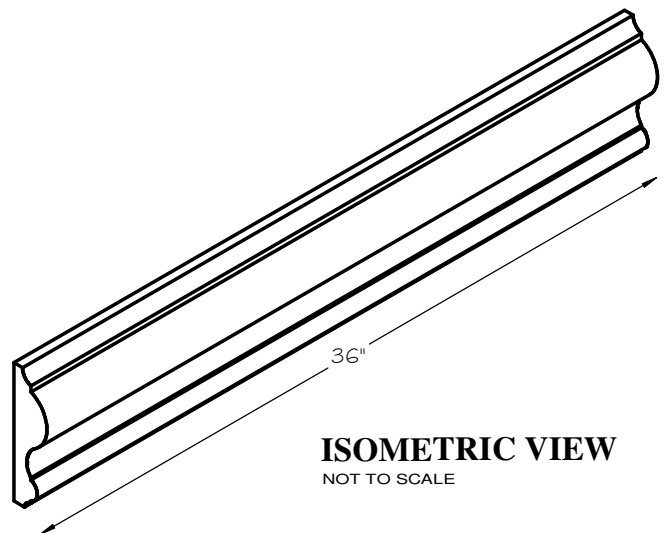


FRONT VIEW

SCALE 3/4" = 1' 0"

STANDARD DIMENSIONS AVAILABLE

SIZE	ITEM #
3"W x 48"L	A01-03
4"W x 36"L	A01-04
6"W x 48"L	A01-06
6"W x 48"L	A01-06A
7"W x 36"L	A01-07
7"W x 48"L	A01-07A
9"W x 48"L	A01-09
9"W x 48"L	A01-09A
12"W x 48"L	A01-12



ISOMETRIC VIEW

NOT TO SCALE

7" WILDING SURROUND STRAIGHT THIN

ITEM # A01-07

FOR STUCCO APPLICATIONS